

61/62

黄铜内螺纹直接头

Brass internal thread Straight fitting

材质：黄铜镀镍

Material: Nickel-plated brass

温度：-40℃~+125℃

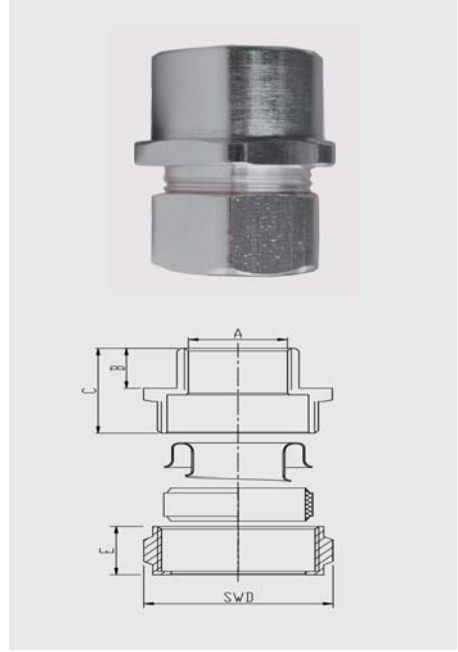
Temperature range: -40℃~ +125℃

防护等级：IP68

Protection Degree: IP68

适用软管：SC, SPC, SPLC, SBC, SSC, SPUL, RPC, SSPC

Fitting conduits: SC, SPC, SPLC, SBC, SSC, SPUL, RPC, SSPC



M 螺纹

适配软管尺寸 Fits to conduit size	型号 Part no.	螺纹 A Thread	B	尺寸 Dimension(mm)			E	包装(个) Packing
				C	D			
5/16"	SPC12-M16-FM	M16X1.5	8.0	20.0	12.0	22.0	50	
3/8"	SPC16-M16-FM	M16X1.5	9.0	21.0	26.0	13.0	50	
3/8"	SPC16-M20-FM	M20X1.5	9.0	20.5	26.0	13.5	50	
1/2"	SPC20-M20-FM	M20X1.5	12.0	25.0	28.0	13.0	50	
3/4"	SPC25-M25-FM	M25X1.5	12.0	25.5	35.0	14.5	50	
1"	SPC32-M32-FM	M32X1.5	14.0	28.5	42.0	16.0	50	
1 1/4"	SPC40-M40-FM	M40X1.5	14.0	29.5	50.0	17.0	25	

PG 螺纹

适配软管尺寸 Fits to conduit size	型号 Part no.	螺纹 A Thread	B	尺寸 Dimension(mm)			E	包装(个) Packing
				C	D			
3/8"	SPC16-PG11-FM	PG11	9.0	20.5	26.0	13.5	50	
3/8"	SPC16-PG13.5-FM	PG13.5	9.0	21.0	26.0	13.0	50	
1/2"	SPC20-PG16-FM	PG16	11.0	22.5	28.5	13.0	50	
3/4"	SPC25-PG21-FM	PG21	12.0	25.5	35.0	14.5	50	
1"	SPC32-PG29-FM	PG29	14.0	30.5	45.0	16.0	50	
1 1/4"	SPC40-PG36-FM	PG36	16.0	39.0	59.0	19.0	25	